



# Inductor

## Power Inductor Through Hole Gap Toroidal coils / 环型电感

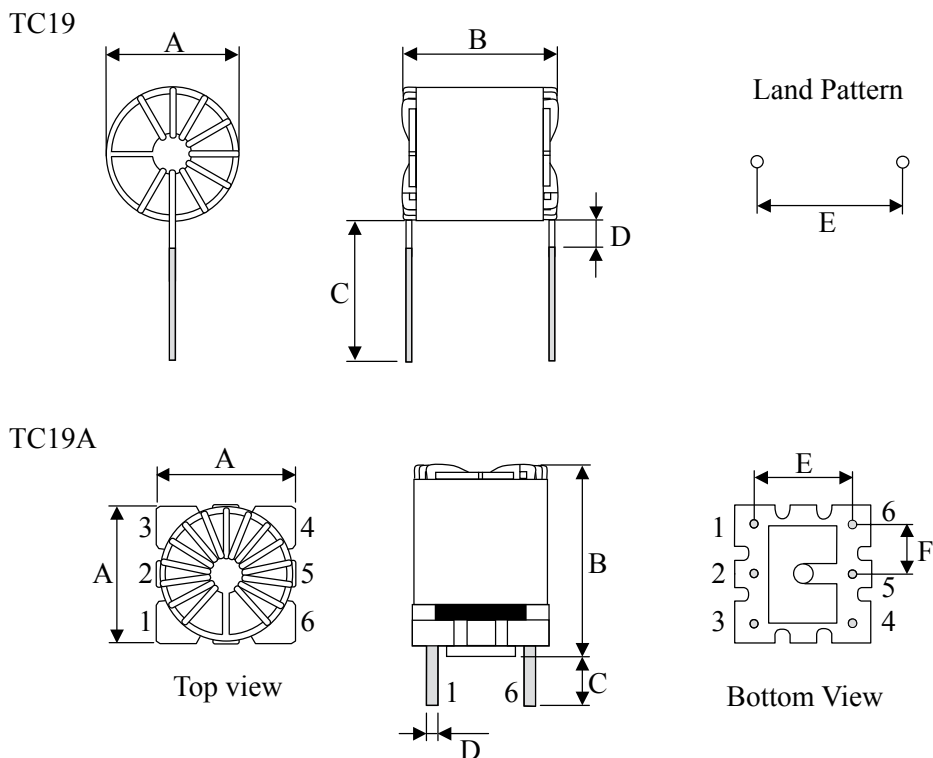
### ► Features

- Micro gap toroid technology.
- Not easy magnetic saturation.

### ► Applications

VCD, DVD.

### ► Toroidal coil Inductor Configurations & Dimensions (unit: mm)



Type	A	B	C	D	E	F
TC19	10.0 (Ref.)	11.5 (Ref.)	15.0 ± 5.0	2.0 (max)	11.0	-
TC19A	11.0 (Ref.)	15.0 (Ref.)	3.5 ± 1.0	0.6 ± 0.05	7.0 ± 0.5	3.5 ± 0.5

Note: Design as Customer's Requested Specifications.

### ► Toroidal coil Inductor Electrical Characteristics

Part Number	Inductance(μH)	Test Freq.(KHz)	DCR (Ω)(max)	IDC (A)(max)
TC19	19.5	100	0.093	3.00
TC19A	19.5	100	0.093	3.00

Note: Test Freq.: 100KHz / 0.1V.

Operating Temp.: -40°C ~ +85°C

Inductance drop = 10% typ. at IDC.

### ► How to Order

TC19



① Power Inductor Through Hole Gap Toroidal Coils: TC19, TC19A