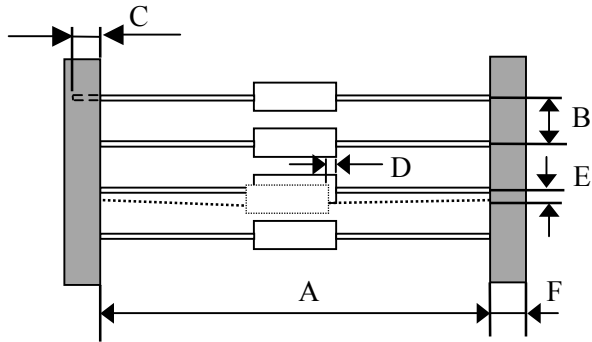




# Resistor Forming Type and Dimensions

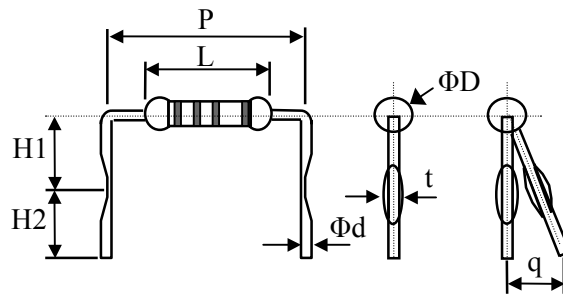
## Resistor Forming Type and Dimensions / 电阻加工类型与尺寸

### ► Tape Type Dimensions



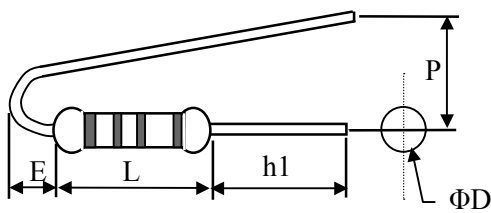
TYPE	T-26	T-52	T-63	T-73
A	26 ± 1	52 ± 1	63 ± 1.5	73 ± 1.5
B	5 ± 0.5	5 ± 0.5	10 ± 0.5	10 ± 0.5
C	5 ± 1	5 ± 1	5 ± 1	5 ± 1
D	Max 0.6	Max 0.6	Max 0.8	Max 0.8
E	Max 1.2	Max 1.2	Max 1.2	Max 1.2
F	6 ± 1	6 ± 1	6 ± 1	6 ± 1

### ► MB Form Dimensions



Watts		ΦD ± 0.5	L ± 1	P ± 1	H1 ± 1	H2 ± 0.5	d ± 0.5	t ± 0.2	q Max
1/2W	1WS	3	9	12.5	10.5	4	0.6	1.2	3
1W	2WS	4	11	15	10.5	4	0.8	1.25	3
2W	3WS	5	15	20	10.5	4	0.8	1.25	3
3W	5WS	6	17	25	10.5	4	0.8	1.25	3
5W	-	8	24	30	14	6.5	0.8	1.25	3

### ► F Form Dimensions

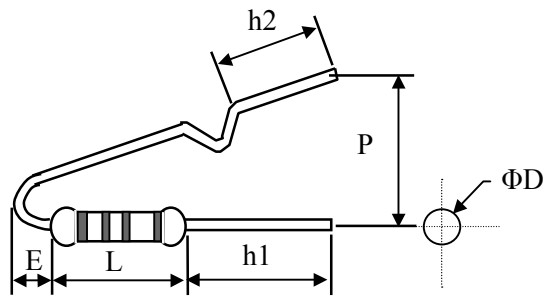


Watts		Dimensions				
		ΦD ± 0.5	L ± 1.0	P ± 2.0	E Max	h1 ± 1.0
1 / 2W	1WS	3	9	6	3.5	5
1W	2WS	4	11	6	3.5	5
2W	3WS	5	15	6	3.5	5
3W	5WS	6	17	6	3.5	5



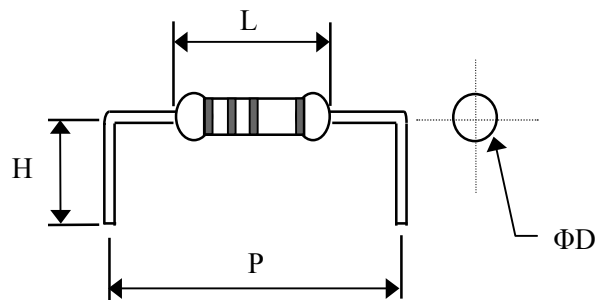
# Resistor Forming Type and Dimensions

## ► FK Form Dimensions



Watts		Dimensions					
		$\Phi D \pm 0.5$	$L \pm 1.0$	$P \pm 2.0$	E Max	$h1 \pm 1.0$	h2Max
1 / 2W	1WS	3	9	6	3.5	5	4
1W	2WS	4	11	6	3.5	5	4
2W	3WS	5	15	6	3.5	5	4
3W	5WS	6	17	6	3.5	5	4

## ► M Form Dimensions



Watts		Dimensions			
		$\Phi D \pm 0.5$	$L \pm 1.0$	$P \pm 2.0$	$H \pm 1.0$
1 / 8W	1/4WS	1.5	3.2	6	10
1/4W	1/2WS	2.3	6	10	10
1/2W	1WS	3	9	12.5	10
1W	2WS	4	11	15	10
2W	3WS	5	15	20	10
3W	5WS	6	17	25	10
5W		8	24	30	20