



TOKEN ELECTRONICS IND. CO., LTD.

HONESTY PERFECTION SHARING

✓ **SMD Coils Miniature**

✉ **Inquiry:** rfq@tokenonline.net

Taiwan: No. 137, Sec. 1, Chung Shin Rd., Wu Ku Hsiang, Taipei Hsien, Taiwan, R.O.C
TEL: 886-2-2981 0109; FAX: 886-2-2988 7487

China: 3F South, Zhongxing Industry Bld., Changye Rd., Nanshan District, Shenzhen, Guangdong
TEL: 86-755-2605 5363, 2605 5364; FAX: 86-755-2605 5365



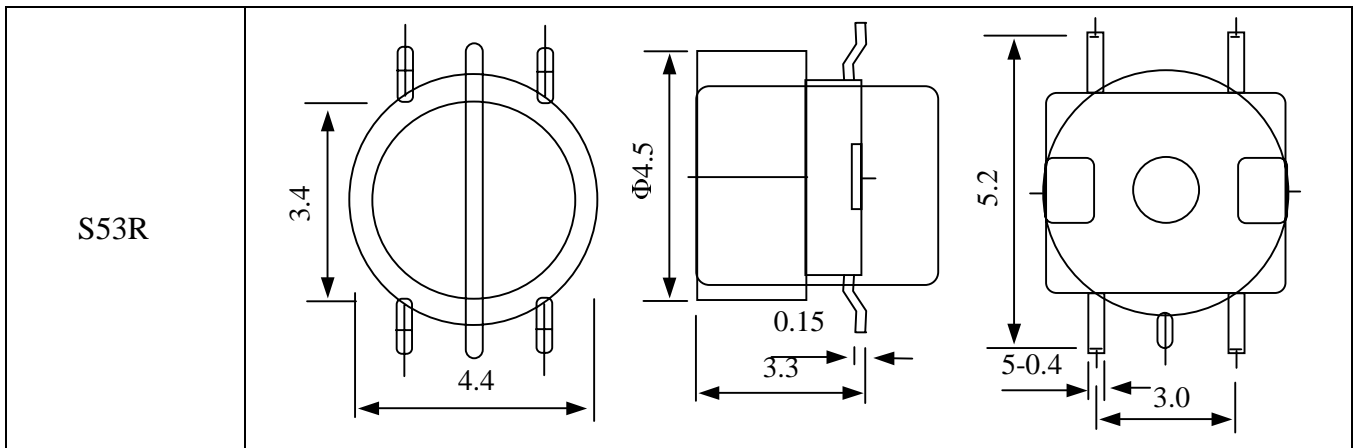
SMD MINIATURE COILS

SMD MINIATURE COILS

- Features:**
1. Windings use pair wires/twin wire for high uniformity.
 2. Base pins are end processed to allow direct mounting on PCB
 3. Surface mounting type also available.

- Applications**
1. Antenna impedance matching coil for car radio television and stereo sets
 2. linkage transformer for data communication system.
 3. Impedance conversion transformer ,transmission transformer and double balance mixer for electronic equipment.

Coils type		
Bu4T		
BU52/BU53		
BS43		



Type Dimension							
MODEL	DEMENSIONS (mm)						
	A	B	C	D	E	F	G
BU4T	3.4±0.2	4.4±0.2	4.4±0.2	3±0.2	3±0.2	5.2±0.2	0.4
BU52/BU53	2.0±0.2	2.4±0.2	5.4±0.2	4.0±0.2	3.0±0.2	5.2±0.2	0.4

MODEL	Inductance	Operational Frequency
BS43	1.0 μ H max.	200MHZ max.
S53R	0.1~8mH max.	DC~500KHz