



TOKEN ELECTRONICS IND. CO., LTD.

HONESTY PERFECTION SHARING

✓ **Power Inductors**

✉ **Inquiry:** rfq@tokenonline.net

Taiwan: No. 137, Sec. 1, Chung Shin Rd., Wu Ku Hsiang, Taipei Hsien, Taiwan, R.O.C
TEL: 886-2-2981 0109; FAX: 886-2-2988 7487

China: 3F South, Zhongxing Industry Bld., Changye Rd., Nanshan District, Shenzhen, Guangdong
TEL: 86-755-2605 5363, 2605 5364; FAX: 86-755-2605 5365



POWER INDUCTORS

POWRE INDUCTORS

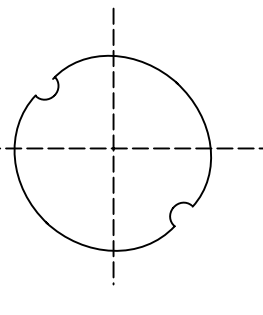
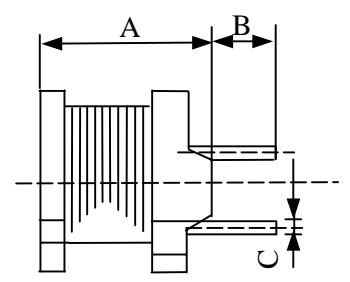
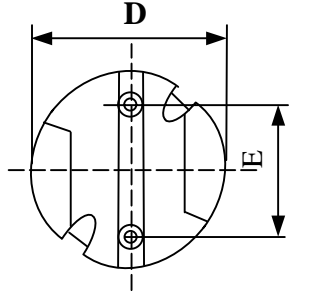
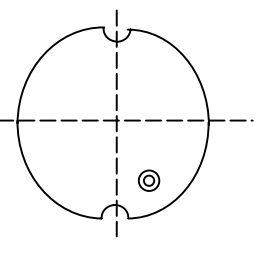
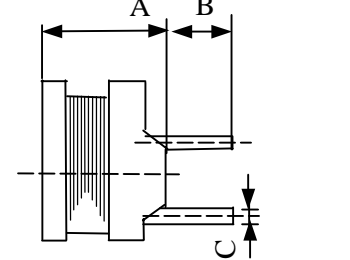
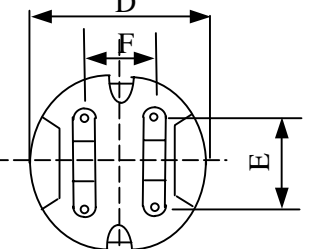
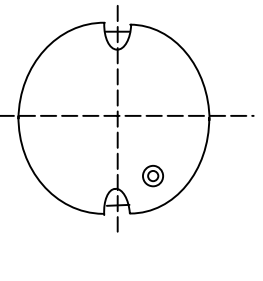
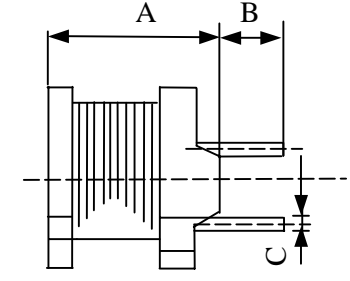
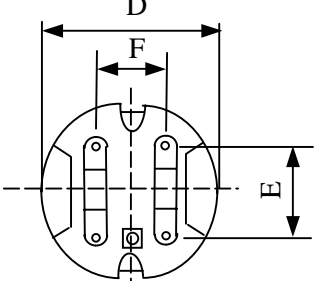
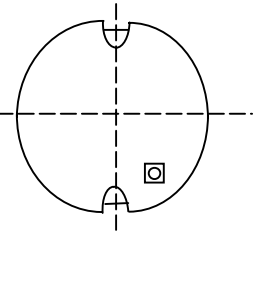
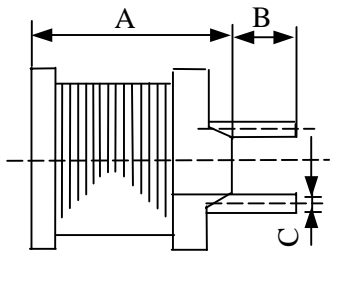
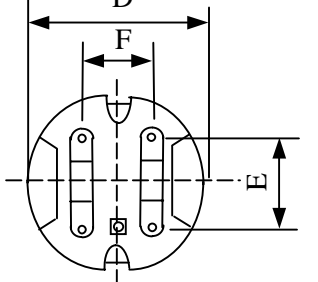
MODEL	A±0.5	B±1	C	D±0.5	E	F
DRCH-4570	7.0	3.5	0.5	4.5	2.5	-
DRCH-646	4.6	4.0	0.5	6.0	4.0	-
DRCH-664	6.2	4.0	0.5	6.0	4.0	-
DRCH-855	5.5	5.0	0.5	8.0	5.0	-
DRCH-875	7.5	5.0	0.5	8.0	5.0	-
DRCH-106	6.0	3.5	0.5	10.0	5.0	4.0
DRCH-108	8.0	3.5	0.5	1.0	5.0	4.0
DRCH-110	10.0	3.5	0.5	1.0	5.0	4.0
DP87	7.0	5.0	0.5	7.8	5.0	-

MODEL	Inductance(μ H)	Q at 100 kHz (Min)	DCR(Ω)	Measuring Frequency
DRCH-646	10~1000	22	0.10~6.3~6.3	1.0KHz
DRCH-664	10~1000	30	0.08~5.78	1.0KHz
DRCH-855	10~47000	32	0.09~260.4	1.0KHz
DRCH-875	10~3900	35	0.08~13.0	1.0KHz
DRCH-106	10~1000	35	0.044~3.3	1.0KHz
DRCH-108	10~1000	35	0.024~2.1	1.0KHz
DP87	22~10000	35	0.12~54.00	1.0KHz

MODEL	DIMENSIONS (mm)		
DRCH-4570 I			
DRCH-06 I			



TOKEN MEANS QUALITY AND SERVICE

MODEL	DIMENSIONS (mm)			
DRCH-08	I			
DRCH-106	I			
DRCH-108	I			
DRCH-110	I			
DP87		