



# Ceramic Filters

## LTCS10.7M Chip Ceramic Filters / 贴片陶瓷滤波器

### ▶ LTCS10.7M ( Compatible to Murata SF ECS10M7 )

**10.7MHz**

LTCS10.7M Ceramic Filter (Compatible to Murata SF ECS10M7) for FM-receivers are small, high performance and super thin (1.5mm max.). Piezoelectric element is connected in the sandwich shape by piezo substrate.

### ▶ Features

1. Mountable by automatic placers.
2. Slim at only 1.5mm max. thickness, and have a small mounting area enabling flexible PCB design.
3. Various bandwidths are available. Select a suitable type in accordance with the desired selectivity.
4. Operating temperature range: -20 to +80 ( °C )  
Storage temperature range: -40 to +85 ( °C )

### ▶ Applications

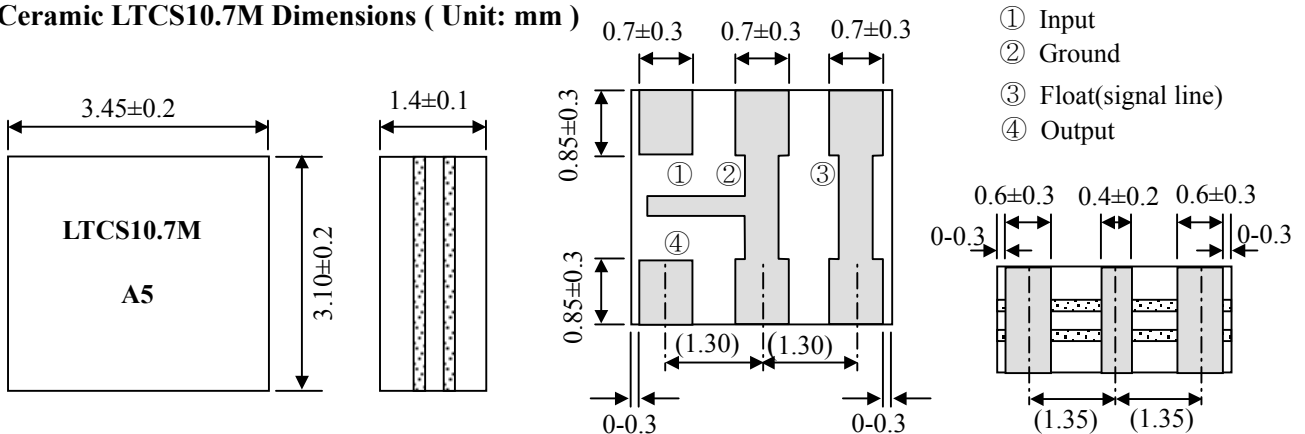
1. Small, thin radios
2. Headphone stereos

### ▶ Chip Type LTCS10.7M Filter Technical Characteristics

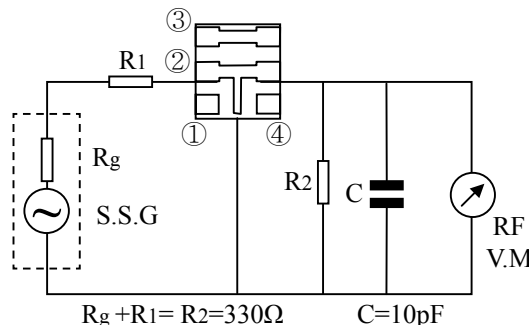
Part Number	3dB Band Width (kHz)	20dB Band Width (kHz)max	Insertion Loss (dB)max	Spurious Attenuation (9-12MHz)(dB)min
LTCS10.7MS2	230±50	510	3.5±2.0	30
LTCS10.7MS3	180±40	470	4.5±2.0	30
LTCS10.7MA5	280±50	590	3.0±2.0	30
LTCS10.7MA20	330±50	700	3.0±2.0	30

● Input/Output Impedance:330Ω

### ▶ Ceramic LTCS10.7M Dimensions ( Unit: mm )



### ▶ Ceramic LTCS10.7M Test Circuit



Including stray capacitance and input capacitance of RF voltmeter

### ▶ How to Order



- ① Part Number      ② Packaging:( T : Taping Reel )