



Discriminator

FM - JT10.7M Ceramic Discriminator / 陶瓷鉴频器

▶ JT10.7M For FM (Murata CDA 10.7 Compatible)

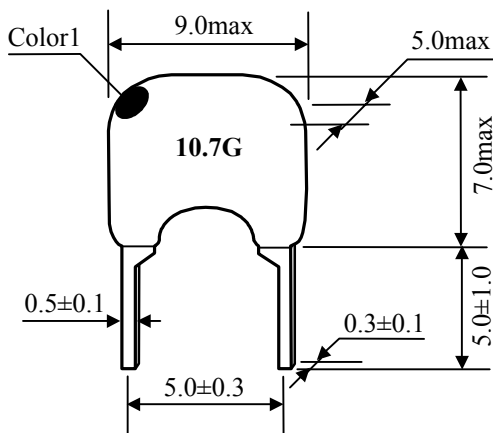
10.7MHz

JT10.7M for FM Discriminator are resonated devices that offer adjustment free audio detection in both wide and narrow bandwidths. These IC dependent devices utilize FM specific detection methods to convert changes in frequency into an intelligible audio signal.

▶ Ceramic JT10.7M Series Discriminators For FM Technical Characteristics

Part Number	Demodulation Output at fo (mv) min	Distortion Factor at fo (%) max	Demodulation 3dB Band Width (kHz) max	Applicable IC
JT10.7MG1	25	1.0	345	CX-2009,CX-20111
JT10.7MG3	650	1.0	±150	TA7303P,TA7130,μPC1028H,A1150
JT10.7MG16	60~90	0.9	300	TA8122AN
JT10.7MG18	60~90	0.9	300	TA8132N
JT10.7MG33	45	0.7	250	TA2007
JT10.7MG80	65	1.0	300	TA2104AFN
JT10.7MG82	90	0.8	320	TA2099N
JT10.7MG92	60	1.0	300	TA2132P
JT10.7MC1	35	1.0	242	CXA1019M,CX-20091

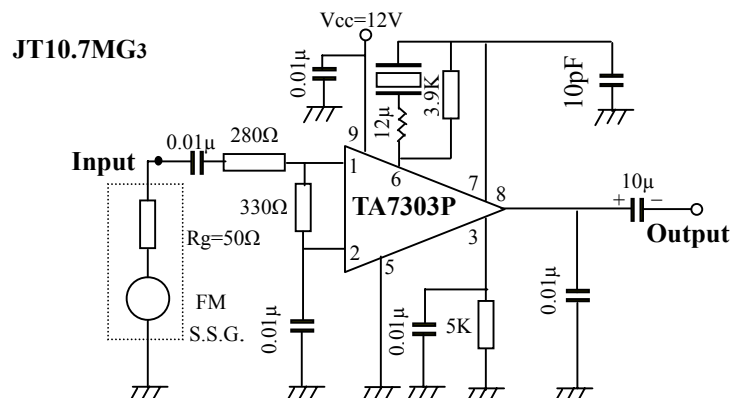
▶ Ceramic JT10.7M Series For FM Dimensions



JT10.7M Series For FM Standard Rule

Center Frequency	Color
D:10.64MHz±30kHz	Black
B:10.67MHz±30kHz	Blue
A:10.70MHz±30kHz	Red
C:10.73MHz±30kHz	Orange
E:10.76MHz±30kHz	White

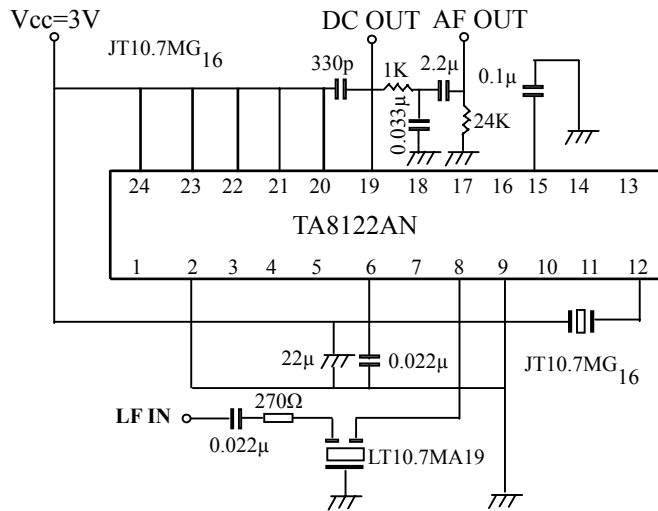
▶ Ceramic JT10.7M Series Discriminators For FM Test Circuit





Discriminator

▶ JT10.7M Series Discriminators For FM Test Circuit



▶ How to Order

JT10.7MG3 - A P
❶ ❷ ❸

- ❶ Part Number
- ❷ Center Frequency color code
- ❸ Packaging